

Sealed Lead-Acid Batteries

Powerful performance for everyday life.



Our SLA Batteries Offer:

- Outstanding performance, withstanding high current output and deep cycling
- Excellent resistance to vibration shock chemicals and heat
- Lower self-discharge
- Reliable power for critical applications
- DOT 60 classified for easy transportation
- UL recognized



Our line of Energy Power AGM batteries are defined as Non-Hazardous & Non-Spillable by United States Department of Transportation (DOT), International Civil Aviation Organization (ICAO 2007-2008 Edition), International Air Transportation Association (IATA 2007 Edition).

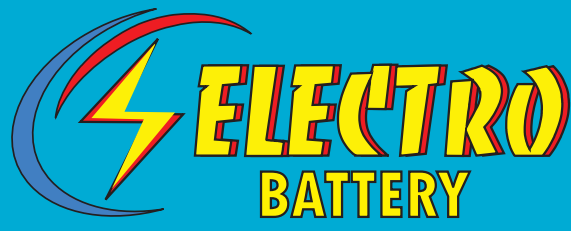
AGM Battery Design



AGM batteries are lead-acid and of the same battery chemistry (lead dioxide, sponge-lead and sulfuric acid electrolyte) but the electrolyte is stabilized differently.



- Maintenance free design
- AGM batteries have higher capacity than Gel batteries in equal case sizes
- AGM has higher discharge rates than Gel
- Higher capacity means more daily range
- Valve regulated lead acid battery, therefore non-spillable
- Optimized for Deep Cycle operation
- AGM preferred industry due to greater discharge and is less expensive for consumer



Sealed Lead-Acid Batteries

Powerful performance for everyday life.



AGM BATTERY SPECIFICATIONS

MODEL	PERFORMANCE			DIMENSIONS			TOTAL WEIGHT (LBS)
	TERMINAL	VOLTS	CAPACITY@ 20HR RATE	LENGTH	WIDTH	HEIGHT	
EB6-4.5	F1	6	4.5	2.76	1.85	4.17	2
EB6-7	F1	6	7	5.94	1.34	3.94	3
EB6-12	F2	6	12	5.94	1.94	3.82	4
EB12-2.2	F1	12	2.2	7.00	1.38	2.50	2
EB12-2.9	F1	12	2.9	3.06	2.19	4.00	2
EB12-3.4	F1	12	3.4	5.25	2.63	2.44	3
EB12-5	F2	12	5	3.54	2.76	4.21	3
EB12-8	F2	12	8	5.94	2.56	3.94	5
EB12-10	F2	12	10	5.94	2.56	4.61	7
EB12-12	F2	12	12	5.94	3.88	4.00	8
EB12-18	T4	12	18	7.13	3.01	6.57	12
EB12-22	T4	12	22	7.13	3.01	6.57	13
EB12-26	T3	12	26	6.50	6.86	4.94	18
EB12-35	L1	12	35	7.68	5.16	7.13	23
EB12-50	L2	12	50	7.72	6.50	7.17	32
EB12-55	Z1	12	55	9.02	5.43	9.13	39
EB12-75	Z1	12	75	10.24	6.61	9.13	51
EB12-75I	I4	12	75	10.24	6.61	8.27	51
UB62000	I4	6	200	12.00	6.60	9.25	58

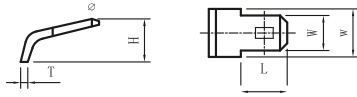
Specifications subject to change without notice. See battery label for exact specifications.

If the battery you need is not listed, please contact us.

This is a listing of the most popular AGM batteries.

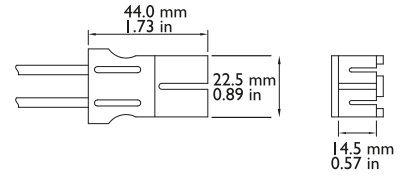
Terminal Configurations

F Series (Faston Tabs)

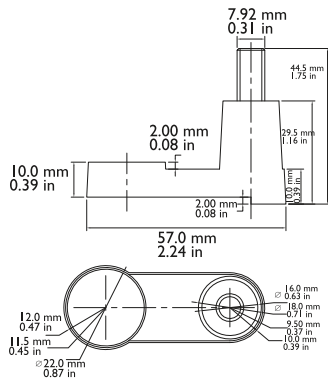


Dimension	L	W	w	H	T
Type					
F1	6.50 mm 0.26 in	4.75 mm 0.19 in	6.00 mm 0.24 in	5.00 mm 0.20 in	0.80 mm 0.03 in
F2	7.80 mm 0.31 in	6.35 mm 0.25 in	7.80 mm 0.31 in	6.00 mm 0.24 in	0.80 mm 0.03 in

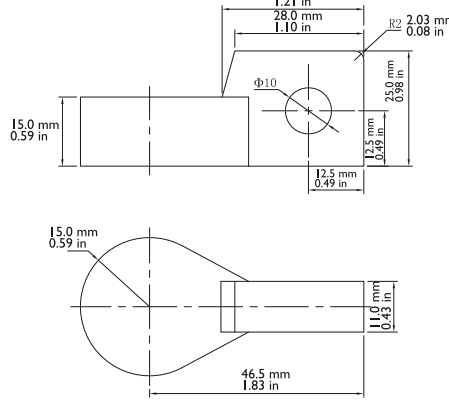
P Series (Plastic Connector) P2



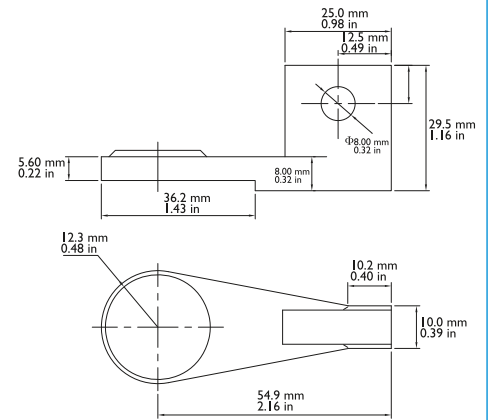
Marine Combo Post



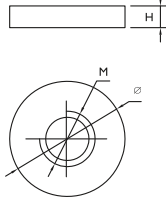
Flag Terminal (FL1)



Flag Terminal (FL2)

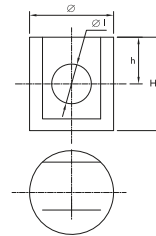


I Series (Internal Thread)



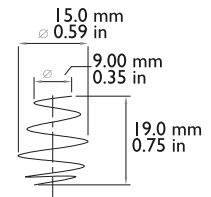
Dimension	M	∅	H
Type			
I1	6.00 mm 0.24 in	13.0 mm 0.51 in	4.00 mm 0.16 in
I2	6.00 mm 0.24 in	15.0 mm 0.59 in	3.00 mm 0.12 in
I3	9.52 mm 0.37 in	16.0 mm 0.63 in	4.00 mm 0.16 in
I4	6.00 mm 0.24 in	15.0 mm 0.59 in	4.00 mm 0.16 in
I5	9.52 mm 0.37 in	17.0 mm 0.67 in	4.00 mm 0.16 in
I6	6.00 mm 0.24 in	16.0 mm 0.63 in	4.00 mm 0.16 in
I7	9.52 mm 0.37 in	16.0 mm 0.63 in	4.00 mm 0.16 in
I8	10.0 mm 0.39 in	19.0 mm 0.75 in	2.00 mm 0.08 in
I9	9.52 mm 0.37 in	19.0 mm 0.75 in	4.00 mm 0.16 in

Z Series (Z Post Terminal)

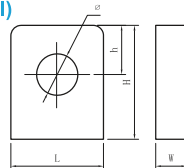


Dimension	∅	∅1	H	h
Type				
Z1	17.0 mm 0.67 in	8.00 mm 0.32 in	21.5 mm 0.85 in	9.00 mm 0.35 in

S Series S1

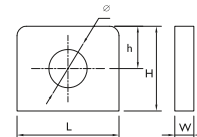


L Series (L Type Terminal)

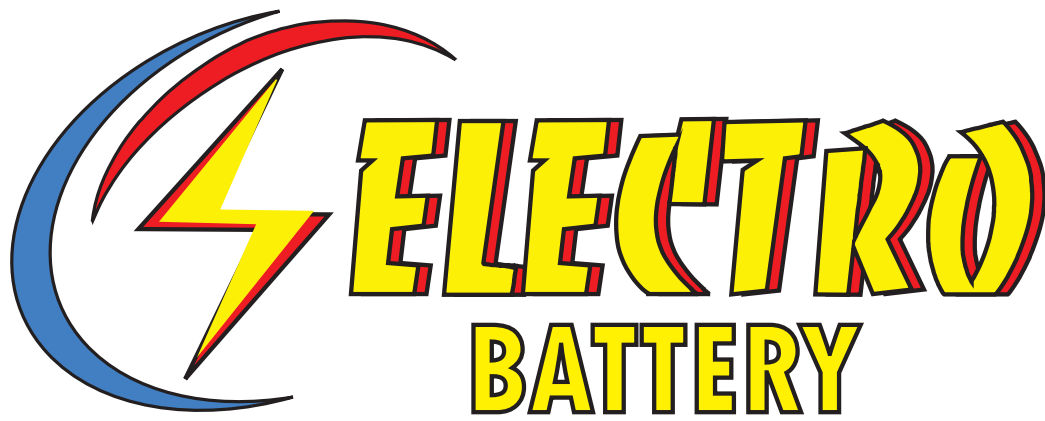


Dimension	L	W	H	h	∅
Type					
L1	17.5 mm 0.69 in	7.00 mm 0.28 in	17.0 mm 0.69 in	7.00 mm 0.28 in	8.50 mm 0.34 in
L2	17.0 mm 0.69 in	9.00 mm 0.35 in	17.0 mm 0.69 in	9.00 mm 0.35 in	6.50 mm 0.26 in
L3	25.5 mm 1.00 in	7.00 mm 0.28 in	22.0 mm 0.87 in	10.5 mm 0.41 in	8.50 mm 0.34 in
L4	26.5 mm 1.04 in	8.00 mm 0.32 in	24.5 mm 0.97 in	12.0 mm 0.47 in	9.00 mm 0.35 in
L5	26.5 mm 1.04 in	8.50 mm 0.34 in	24.0 mm 0.95 in	10.0 mm 0.39 in	8.00 mm 0.32 in

T Series (Tab Terminal)



Dimension	L	W	w	h	∅
Type					
T3	14.0 mm 0.55 in	2.00 mm 0.09 in	12.5 mm 0.49 in	6.00 mm 0.24 in	6.00 mm 0.24 in
T4	12.0 mm 0.47 in	3.00 mm 0.12 in	12.5 mm 0.49 in	5.00 mm 0.20 in	5.50 mm 0.22 in



The Power that Drives Performance!